

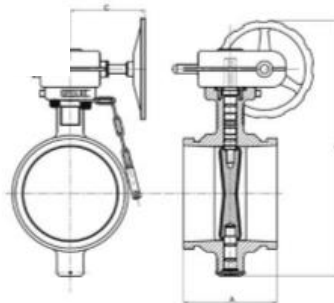
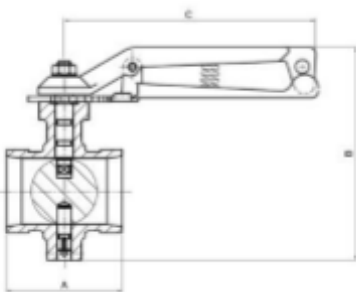
GLEN SHOULDERED BUTTERFLY VALVES

Specifications

- Designed to meet international standards
- Extremely rugged
- FBE coated body OR NBR rubber lined body
- Simple to install and operate
- No lubrication necessary
- Throttling facility by using the optional multi-stop handle version
- Easy adaptation to flanged pipe lines
- Corrosion and abrasion resistant

Material of Construction

Spindle	316 Stainless Steel
Disc	Uncoated SG Iron, Nitrile rubber lined OR 316 Stainless Steel
Body	SG Iron - FBE coated OR NBR lined
Rubber lining	Nitrile (EPDM available)



Lever Latch Handle



Gear Operated

CODE	SIZE	DESCRIPTION	A (mm)	B (mm)	C (mm)	PRESSURE (kPa)	TEMPERATURE (°C)
UNCOATED SG IRON DISC – SG IRON RUBBER LINED BODY – LEVER LATCH HANDLE							
VBFSCL100	100 / 114	SG IRON BODY AND DISC, LEVER LATCH HANDLE	115	305	230	2500	-20 to 82
VBFSCL150	150 / 165	SG IRON BODY AND DISC, LEVER LATCH HANDLE	150	370	310	2500	-20 to 82
VBFSCL200	200 / 219	SG IRON BODY AND DISC, LEVER LATCH HANDLE	135	475	500	2500	-20 to 82
UNCOATED SG IRON DISC – SG IRON RUBBER LINED BODY – GEAR OPERATED							
VBFSCG100	100 / 114	SG IRON BODY AND DISC, GEAR OPERATED	115	360	160	2500	-20 to 82
VBFSCG150	150 / 165	SG IRON BODY AND DISC, GEAR OPERATED	150	420	160	2500	-20 to 82
VBFSCG200	200 / 219	SG IRON BODY AND DISC, GEAR OPERATED	135	542	250	2500	-20 to 82
SG IRON RUBBER COATED DISC – SG IRON EPOXY COATED BODY – LEVER LATCH HANDLE							
VBFERL100	100mm	SG IRON BODY EPOXY COATED, RUBBER LINED DISC, LEVER LATCH HANDLE	115	305	230	2500	-20 to 82
VBFERL150	150mm	SG IRON BODY EPOXY COATED, RUBBER LINED DISC, LEVER LATCH HANDLE	150	370	310	2500	-20 to 82
SG IRON RUBBER COATED DISC – SG IRON EPOXY COATED BODY – GEAR OPERATED							
VBFERG100	100mm	SG IRON BODY EPOXY COATED, RUBBER LINED DISC, GEAR OPERATED	115	360	160	2500	-20 to 82
VBFERG150	150mm	SG IRON BODY EPOXY COATED, RUBBER LINED DISC, GEAR OPERATED	150	420	160	2500	-20 to 82
T316 ST/ST DISC – SG IRON RUBBER LINED BODY – LEVER LATCH HANDLE							
VBFSSL050	50 / 60	SG IRON BODY, 316SS DISC, LEVER LATCH HANDLE	84	205	155	2500	-20 to 82
VBFSSL100	100 / 114	SG IRON BODY, 316SS DISC, LEVER LATCH HANDLE	115	305	230	2500	-20 to 82
VBFSSL150	150 / 165	SG IRON BODY, 316SS DISC, LEVER LATCH HANDLE	150	370	310	2500	-20 to 82
VBFSSL200	200 / 219	SG IRON BODY, 316SS DISC, LEVER LATCH HANDLE	135	475	500	2500	-20 to 82
T316 ST/ST DISC – SG IRON RUBBER LINED BODY – GEAR OPERATED							
VBFSSG100	100 / 114	SG IRON BODY, 316SS DISC, GEAR OPERATED	115	360	160	2500	-20 to 82
VBFSSG150	150 / 165	SG IRON BODY, 316SS DISC, GEAR OPERATED	150	420	160	2500	-20 to 82
VBFSSG200	200 / 219	SG IRON BODY, 316SS DISC, GEAR OPERATED	135	542	250	2500	-20 to 82